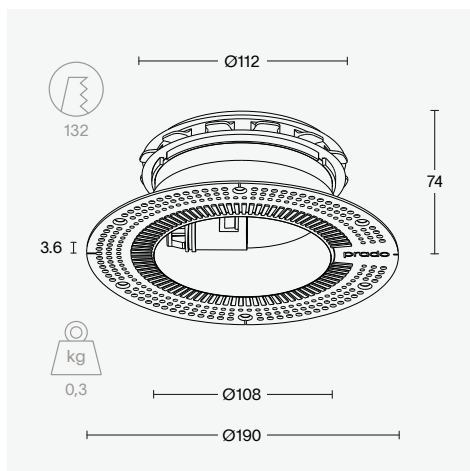
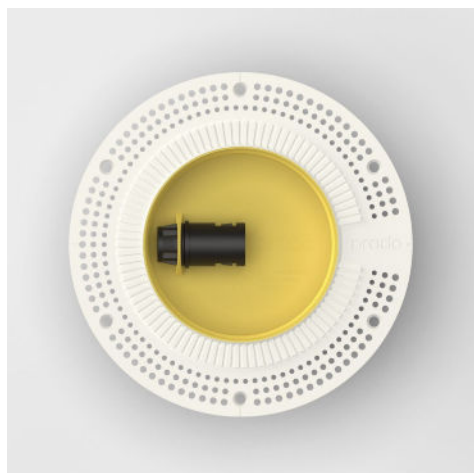


plaster ring Ø108



tech specs

kit size Ø 190 h 74

cut-out size Ø 132 h 85

ventilation specs fits into every Ø 125 duct

location ceiling indoor

weight 0.3 kg

order number

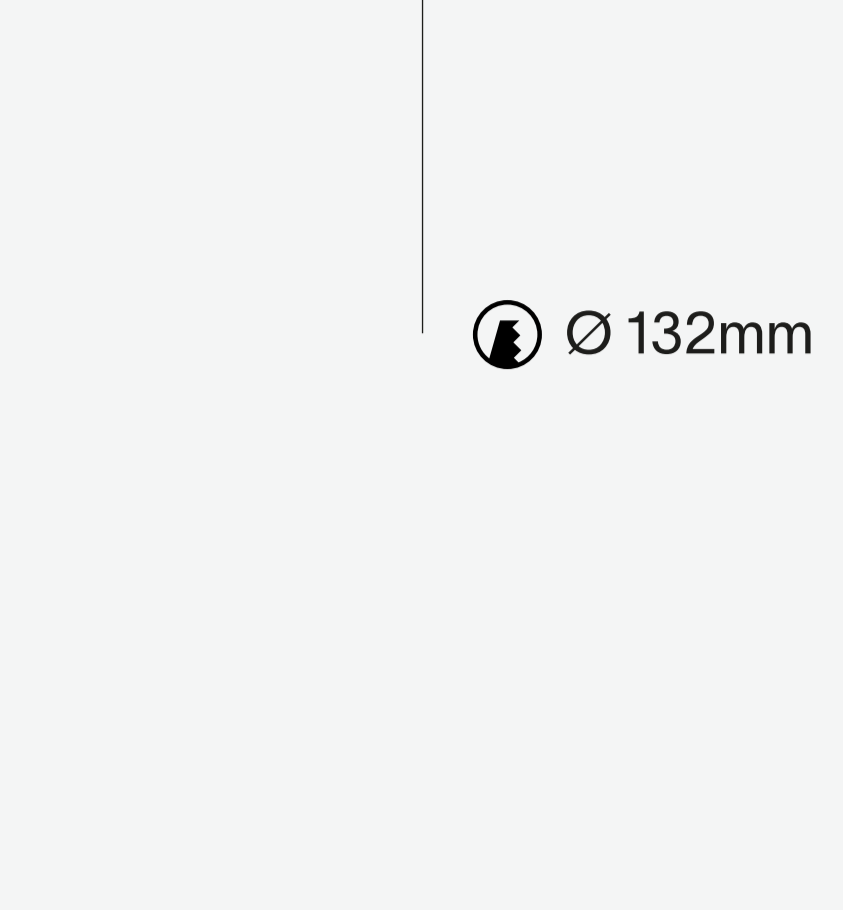
8000 - 0001

plaster ring Ø108

plaster ring Ø108

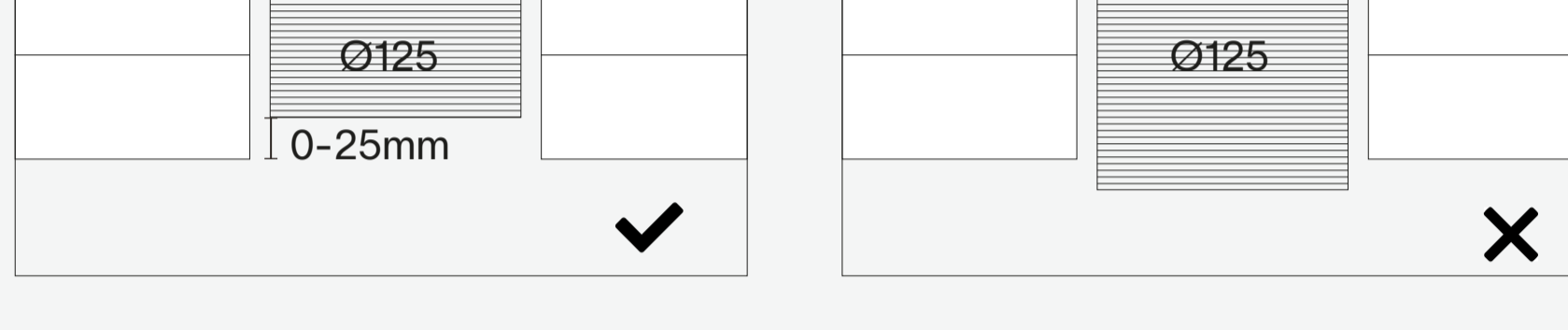
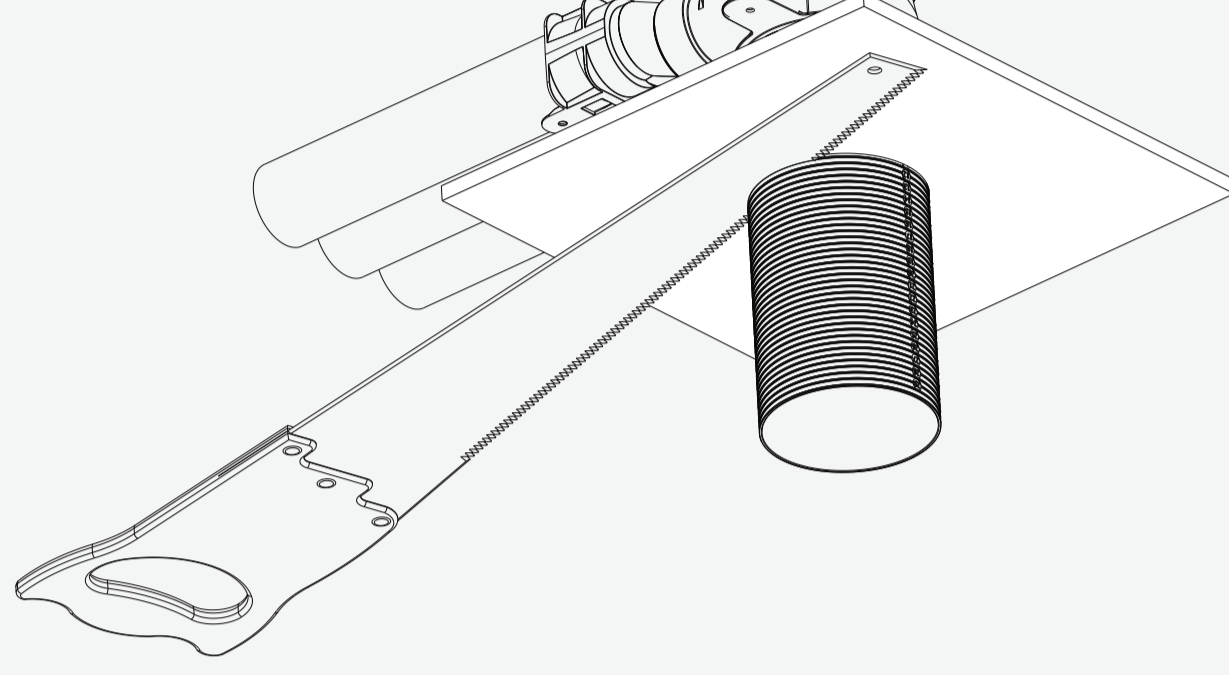
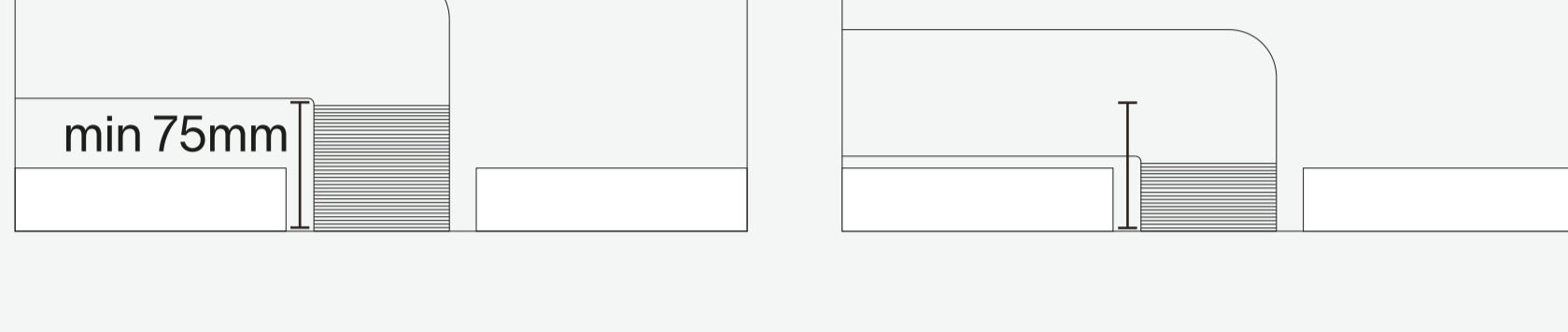
installation instruction

1



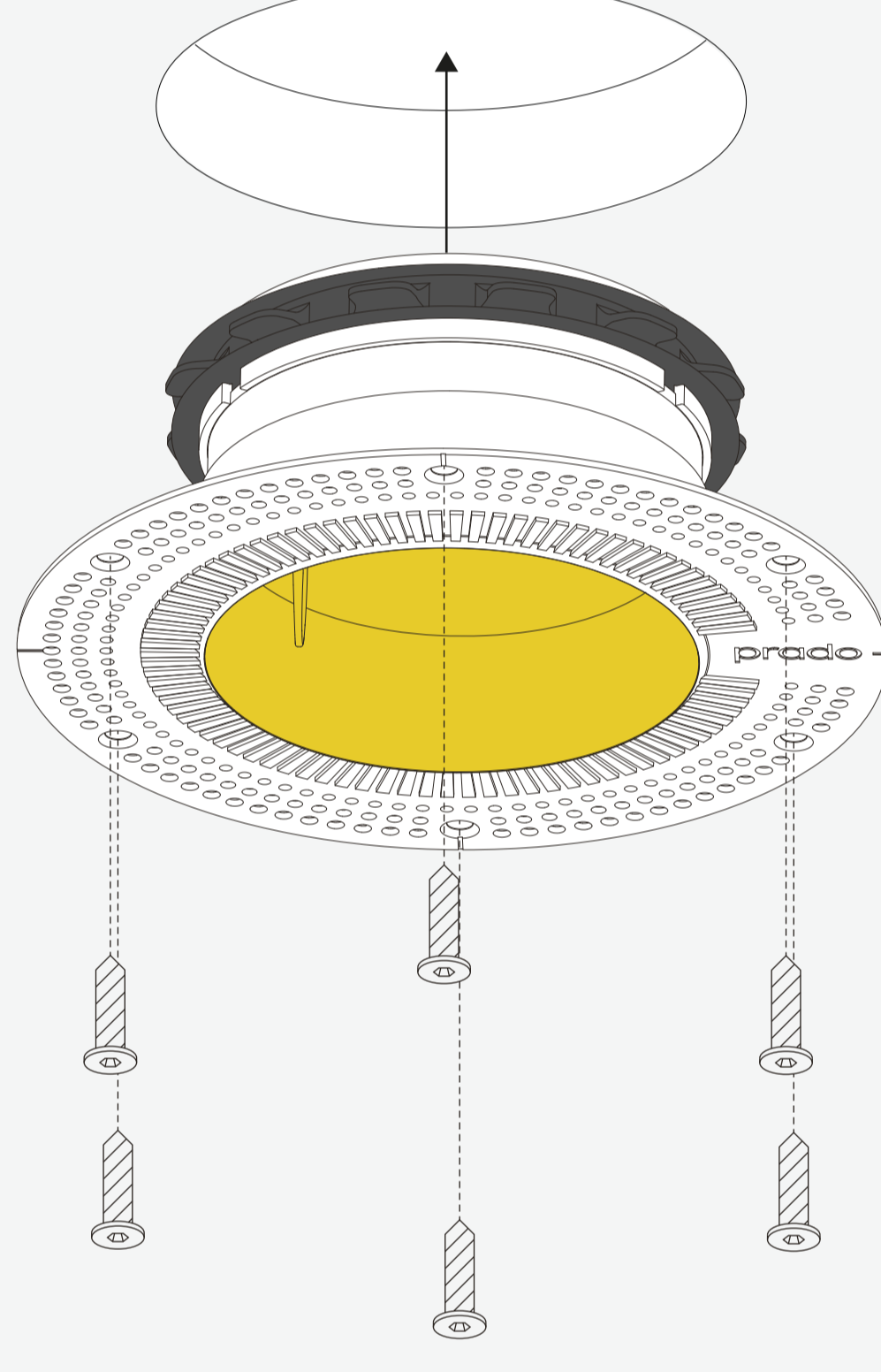
cut a round hole (Ø 132 h 85)

2



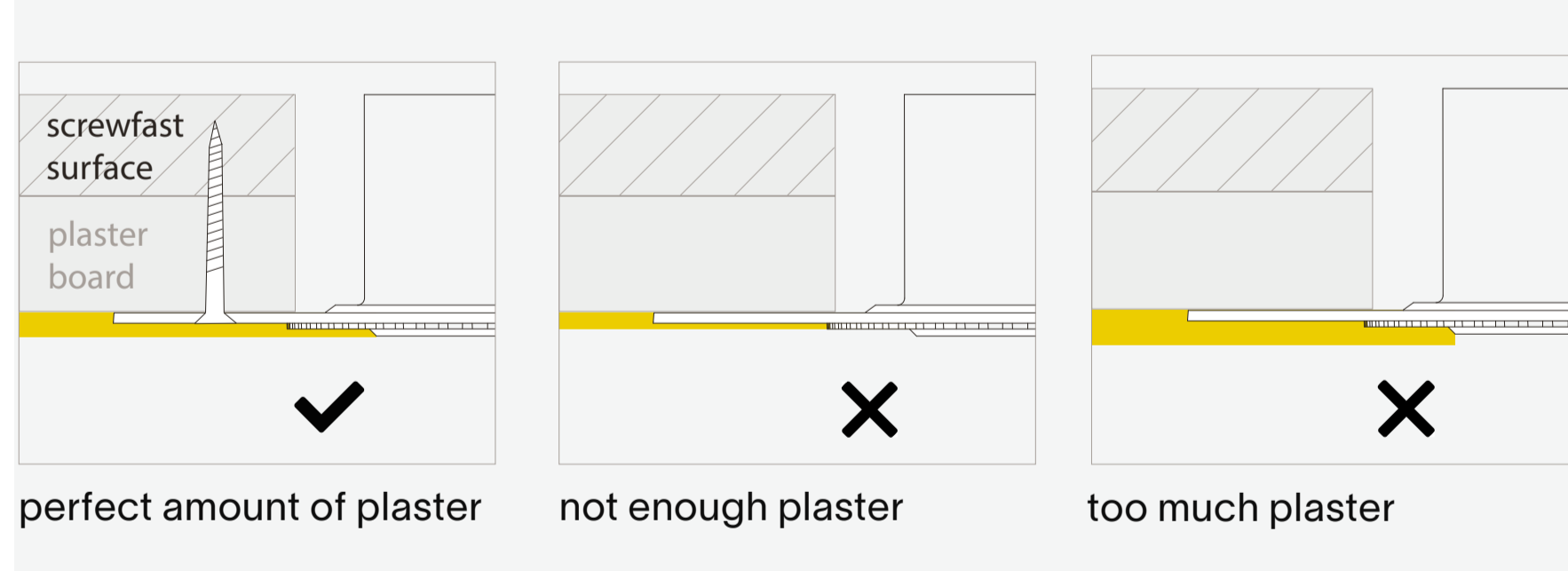
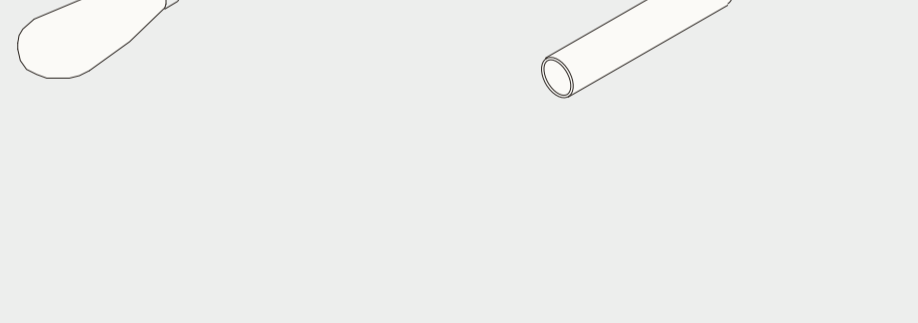
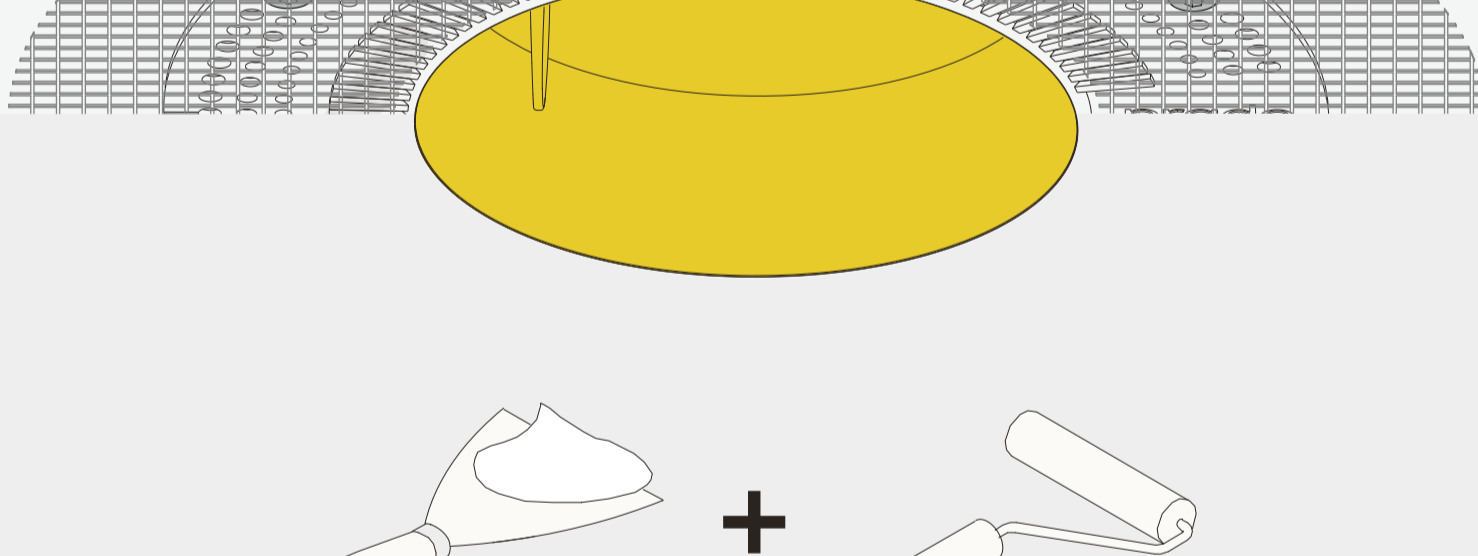
Cut off the excess length of the valve adapter. (between 0 and 25 mm above final ceiling level)
The remaining vertical part of the adapter (before the start of the turn) must be at least 75 mm high for the plaster ring.

3



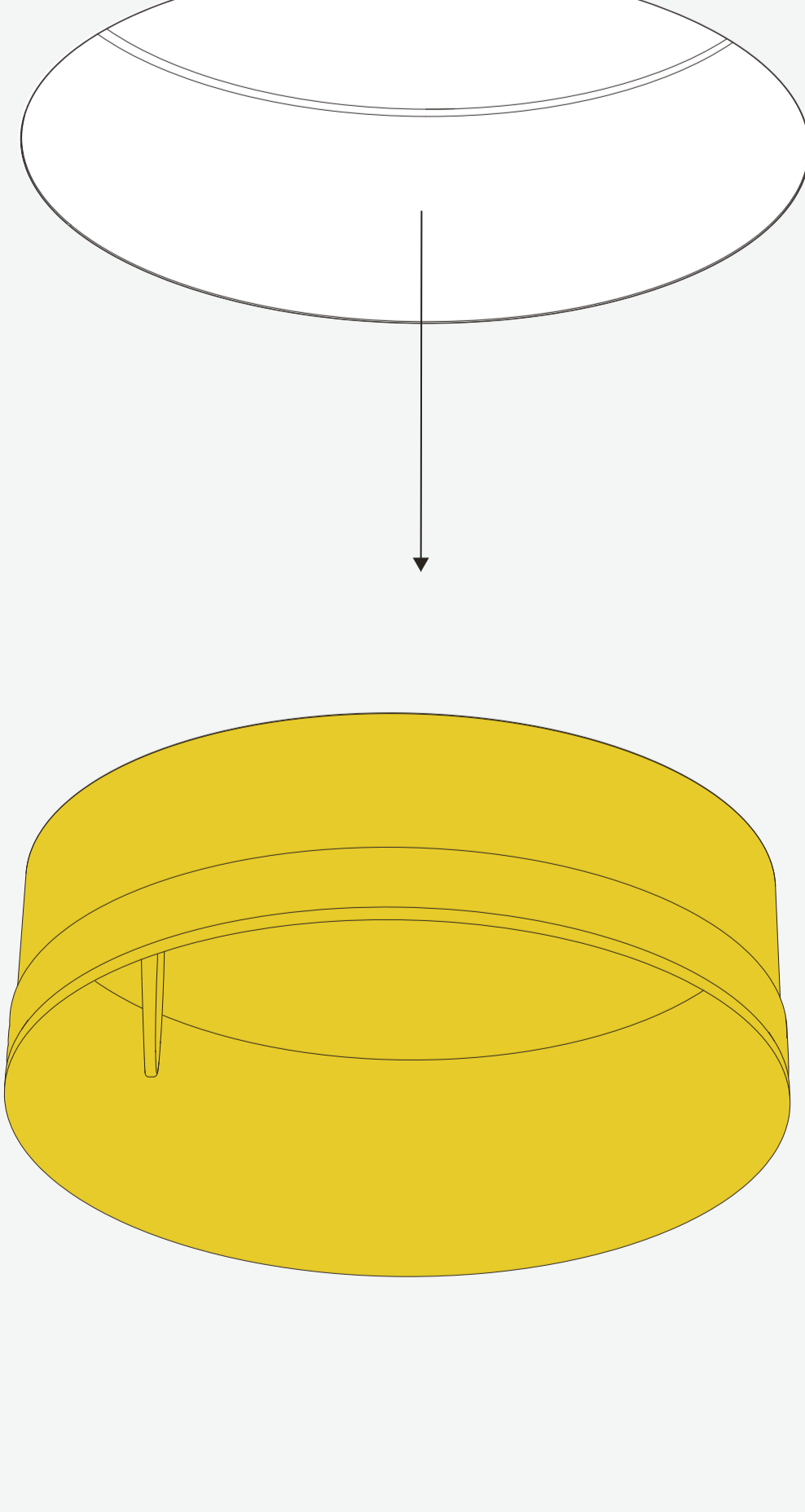
Insert the plaster ring and securely fasten it with glue or the appropriate screws on a screwfast surface. The attachment must be able to obtain a static load of 5 kg. It's the installers responsibility to ensure optimal attachment.

4



Excercise caution while plasering, do not damage the ring. Keep the plaster lid inside the plaster ring while plastering. Use a fiberglass mesh tape for optimal plaster adhesion. Make sure not to touch the edge of the ring when sanding.

5



Remove the plaster lid just before installing the fixture. It helps to keep the inside of your plaster ring free of filler, paint and dust. Any residue needs to be removed without damaging the edges of the plaster ring.

thank you for choosing prado